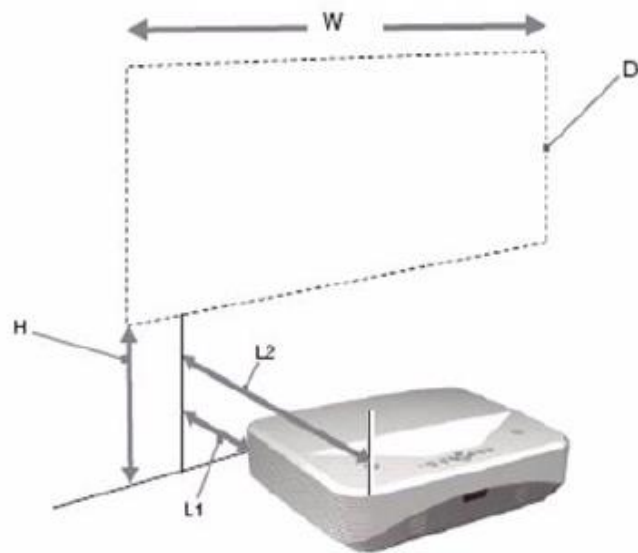


* U1 1080P model Projection distance and Screen Size

Inch (D)	Bottom height (H)	From a projecting surface to the rear of the unit L1	From a projecting surface to the front of the unit L2
80	288.5	75.1	465.1
81	290.8	80.5	470.5
82	293.2	85.8	475.8
83	295.5	91.1	481.1
84	297.8	96.4	486.4
85	300.2	101.8	491.8
86	302.5	107.1	497.1
87	304.8	112.4	502.4
88	307.2	117.7	507.7
89	309.5	123.1	513.1
90	311.9	128.4	518.4
91	314.2	133.7	523.7
92	316.5	139.0	529.0
93	318.9	144.4	534.4
94	321.2	149.7	539.7
95	323.5	155.0	545.0
96	325.9	160.3	550.3
97	328.2	165.7	555.7
98	330.5	171.0	561.0
99	332.9	176.3	566.3
100	335.2	181.6	571.6
101	337.5	186.9	576.9
102	339.9	192.3	582.3
103	342.2	197.6	587.6
104	344.5	202.9	592.9
105	346.9	208.2	598.2
106	349.2	213.6	603.6
107	351.6	218.9	608.9
108	353.9	224.2	614.2
109	356.2	229.5	619.5
110	358.6	234.9	624.9
111	360.9	240.2	630.2
112	363.2	245.5	635.5
113	365.6	250.8	640.8
114	367.9	256.1	646.1
115	370.2	261.5	651.5
116	372.6	266.8	656.8
117	374.9	272.1	662.1
118	377.2	277.4	667.4
119	379.6	282.8	672.8
120	381.9	288.1	678.1
121	384.2	293.4	683.4
122	386.6	298.7	688.7
123	388.9	304.0	694.0
124	391.2	309.4	699.4
125	393.6	314.7	704.7
126	395.9	320.0	710.0
127	398.2	325.3	715.3
128	400.6	330.7	720.7
129	402.9	336.0	726.0
130	405.2	341.3	731.3

131	407.6	346.6	736.6
132	409.9	351.9	741.9
133	412.3	357.3	747.3
134	414.6	362.6	752.6
135	416.9	367.9	757.9
136	419.3	373.2	763.2
137	421.6	378.6	768.6
138	423.9	383.9	773.9
139	426.3	389.2	779.2
140	428.6	394.5	784.5
141	430.9	399.8	789.8
142	433.3	405.2	795.2
143	435.6	410.5	800.5
144	437.9	415.8	805.8
145	440.3	421.1	811.1
146	442.6	426.4	816.4
147	444.9	431.8	821.8
148	447.3	437.1	827.1
149	449.6	442.4	832.4
150	451.9	447.7	837.7



L1: Distance from a projection surface to the rear of the unit

L2: Distance from a projection surface to the front of the unit

D: Projection image size

H: Distance from a floor to the bottom of a projection image

